



**Electronic Alliance**  
[www.eaa.net.au](http://www.eaa.net.au)

# AC BLOWER FANS.

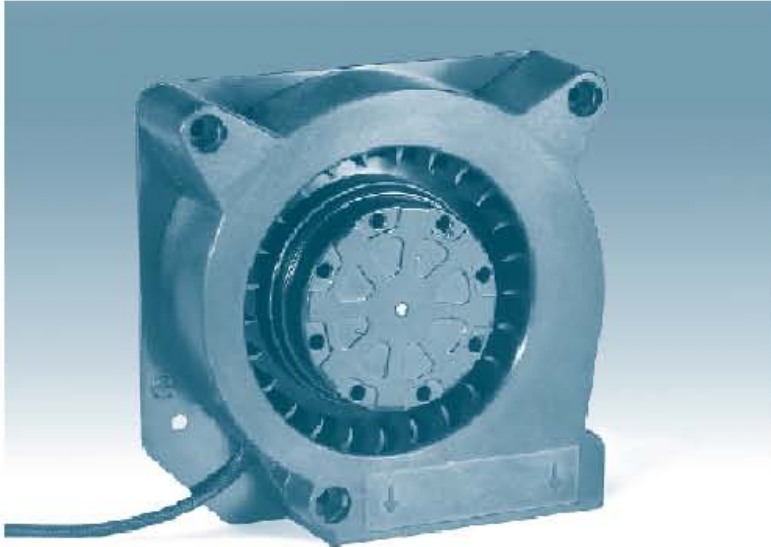
**AC BLOWERS.****GENERAL DATA FOR : BLOWER FANS**

<b>Frame / Housing</b>	: Aluminium die-casting
<b>Impeller</b>	: Plastic Nylon, metal or Aluminum
<b>Bearing System</b>	: Ball bearing
<b>Motor</b>	: Shaded pole or capacitor induction
<b>Protection</b>	: Impedance protection or thermal protection
<b>Insulation Resistance</b>	: Above 100MΩ, DC500V
<b>Dielectric withstand voltage</b>	: AC 1500V (50/60Hz) one minute
<b>Operating Temperature</b>	: Ball bearing: - 40°C ~ 60°C : (EA2280BMB, EA2880BMB - 40°C~ 90°C)
<b>Life Expectancy</b>	: Ball bearing: over 40,000. (At 40°C)
<b>Safety Approval</b>	: UL, CUL, CE

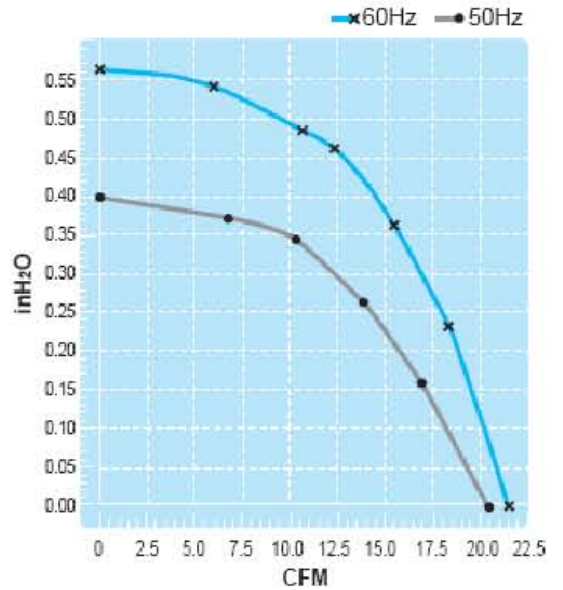
**AC BLOWERS PART No. DESCRIPTION**

**ALL MODELS DISPLAYED ON THIS CATALOGUE ARE ROHS COMPLIANT.**

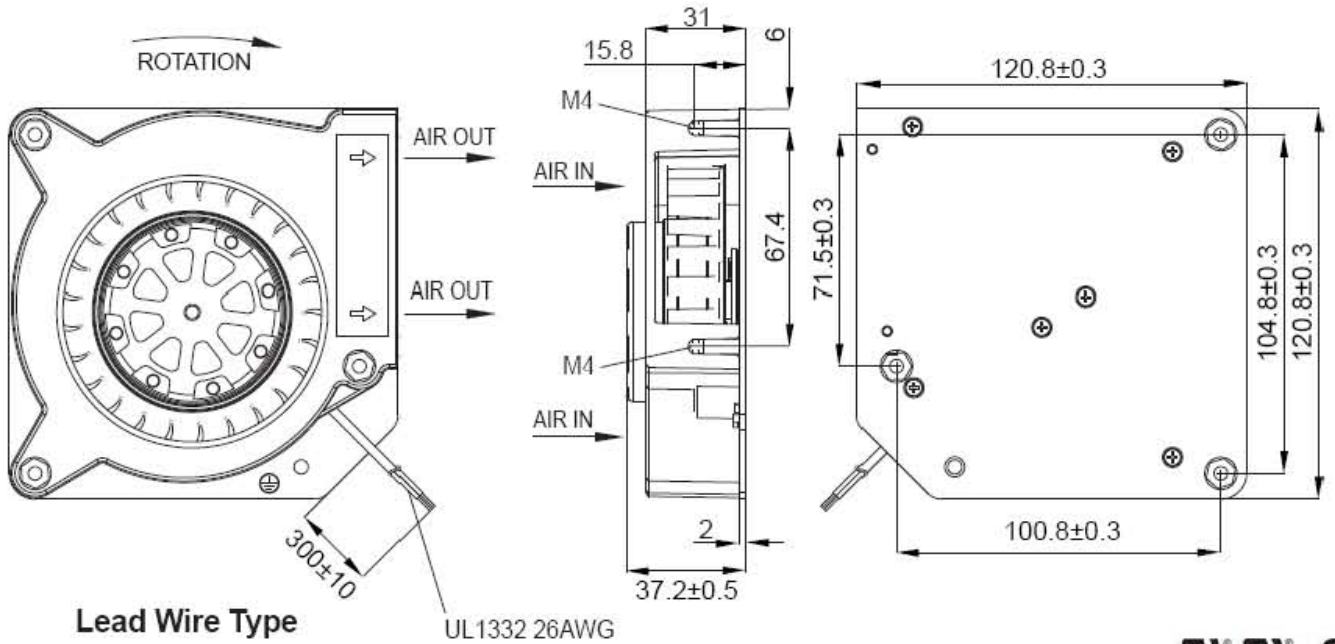
<b>E</b>	<b>B</b>	<b>A</b>	<b>800</b>	<b>AN</b>	<b>-</b>	<b>11</b>	<b>H</b>	1.	<b>E</b>							
1	2	3	4	5	6	7			Electronic Associates							
								2.	<b>B</b>							
									Blower Series							
								3.	<b>A</b>							
									A	AC Series						
									D	DC Series						
								4.	<b>800</b>							
									EBA800AN	125	X	126	X	39	MM	
									EBA800AP	126	X	126	X	41	MM	
									EBA908AN	183	X	190	X	70	MM	
									EBA909AP	220	X	210	X	89	MM	
								5.	<b>AN</b>							
									AN	Aluminum Black color						
									AP	Aluminum Natural color						
								6.	<b>11</b>							
									11	115V						
									23	230V						
									11/23	115/230V						
								7.	<b>H</b>							
									H	High	Speed					
									M	Medium	Speed					
									L	Low	Speed					
									UL	Ultra Slow	Speed					
									H/M	High/Medium	Speed					
									M/L	Medium/Slow	Speed					



**(Blower Fan)**



**Thermal Protection**



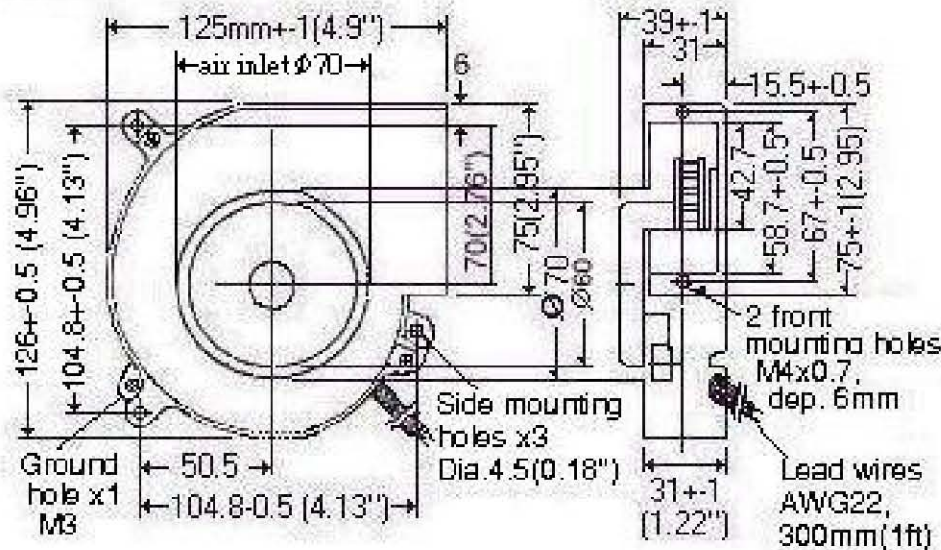
Model Spec	Rated Voltage V	Frequency Hz	Input Power W	Rated Current A	Locked Current A	Speed RPM	Maximum Air Flow m <sup>3</sup> /min	Maximum Air Flow CFM	Maximum Pressure mmH <sub>2</sub> O	Maximum Pressure InchH <sub>2</sub> O	Noise dB	Weight KG
EBA12030-11HB	115V	50	19	0.23	0.30	2,500	0.58	20	10.0	0.40	49	0.66
		60	18	0.21	0.26	2,700	0.60	21	13.0	0.50	51	
EBA12030-23HB	230V	50	19	0.11	0.14	2,500	0.58	20	10.0	0.40	49	0.66
		60	18	0.10	0.12	2,700	0.60	21	13.0	0.50	51	

**GENERAL SPECIFICATIONS**



- Motor: Shaded pole, inner rotor, single phase, impedance protected design
- Frame: Aluminum die cast, natural color treatment
- Impeller: Glass fiber reinforced thermoplastic impeller, rated UL94V-0
- Rotation: CW looking at rotor, air inlet side of housing, air outlet from struts
- Bearing System: Two high precision permanently lubricated ball bearings
- Operating Temp: Ambient non-condensing allowable thermal range -20C~+75C
- L10 Life: MTBF life test 85,000 hours at +45C, 40,000 hours at +60C
- Dielectric Strength: Over 1 min. at 1,500 VAC, 0.5mA, 50/60 Hz
- Insulation Resistance: Over 100 Mega Ohm at DC 500V
- Connection: Wire lead or Terminal flat pin connecting for choice
- Net Weight: 525 g (1.2 Lbs)

**FAN DIMENSIONS AND OPTIONS**



**-Optional Function Leads:**

\*Tachometer, speed sensor pulses 5V, input 4.5~27 VDC, 1 signal each revolution, or 2 signals each revolution available on request. Function-F/G

\*Alarm output signals for abnormal or normal available on request. Function-R/D



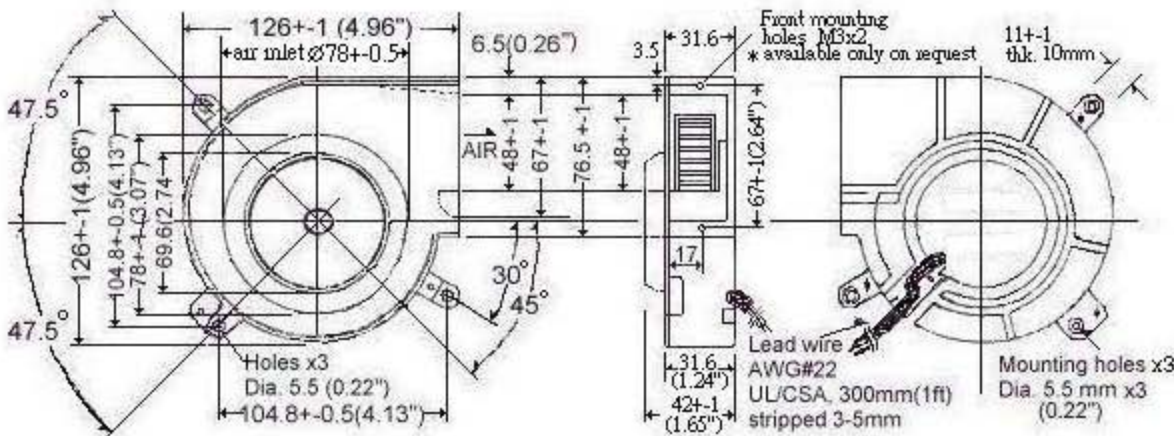
Model No.	Rated Voltage	Voltage Range	Freq.	Input Power	Rated Current	Rated Speed	Max. Airflow	Max. Static Pressure	Noise
	VAC	VAC	Hz	W	A	RPM	CFM	Inch/H2O	dB(A)
EBA800AN-11HB	115	70~120	50/60	20/18	0.23/0.21	2500/2700	28/30	0.43/0.51	48
EBA800AN-11MB	115	70~120	50/60	14/12	0.144/0.143	2200/2100	23/22	0.36/0.35	39
EBA800AN-11LB	115	70~120	50/60	11/9	-	1500/1600	11/12	0.18/0.19	28
EBA800AN-23HB	230	120~240	50/60	20/18	0.12/0.11	2500/2700	28/30	0.43/0.51	48
EBA800AN-23MB	230	130~240	50/60	14/12	0.067/0.068	2200/2100	23/22	0.36/0.35	39
EBA800AN-23LB	230	140~240	50/60	11/9	-	1500/1600	11/12	0.19/0.19	28
EBA800AN-11/23HB dual voltage	115/230	70~240	50/60	20/18	-	2500/2700	28/30	0.43/0.51	48

**GENERAL SPECIFICATIONS**



- Motor: Shaded pole, inner rotor, single phase, impedance protected design
- Frame: Aluminum die-cast, black color cosmetics
- Impeller: Glass fiber reinforced thermoplastic impeller, rated UL94V-0
- Rotation: CW looking at rotor, air inlet side of housing, air outlet from struts
- Bearing System: Two high precision permanently lubricated ball bearings
- Operating Temp: Ambient non-condensing allowable thermal range -20C~+75C
- L10 Life: MTBF life test 85,000 hours at +45C, 40,000 hours at +60C
- Dielectric Strength: Over 1 min. at 1,500 VAC, 0.5mA, 50/60 Hz
- Insulation Resistance: Over 100 Mega Ohm at DC 500V
- Connection: Wire lead or Terminal flat pin connecting for choice
- Net Weight: 630 g (1.4 Lbs)

**FAN DIMENSIONS AND OPTIONS**



-Optional Function Leads:

\*Tachometer, speed sensor pulses 5V, input 4.5~27 VDC, 1 signal each revolution, or 2 signals each revolution available on request. Function-F/G

\*Alarm output signals for abnormal or normal available on request. Function-R/D



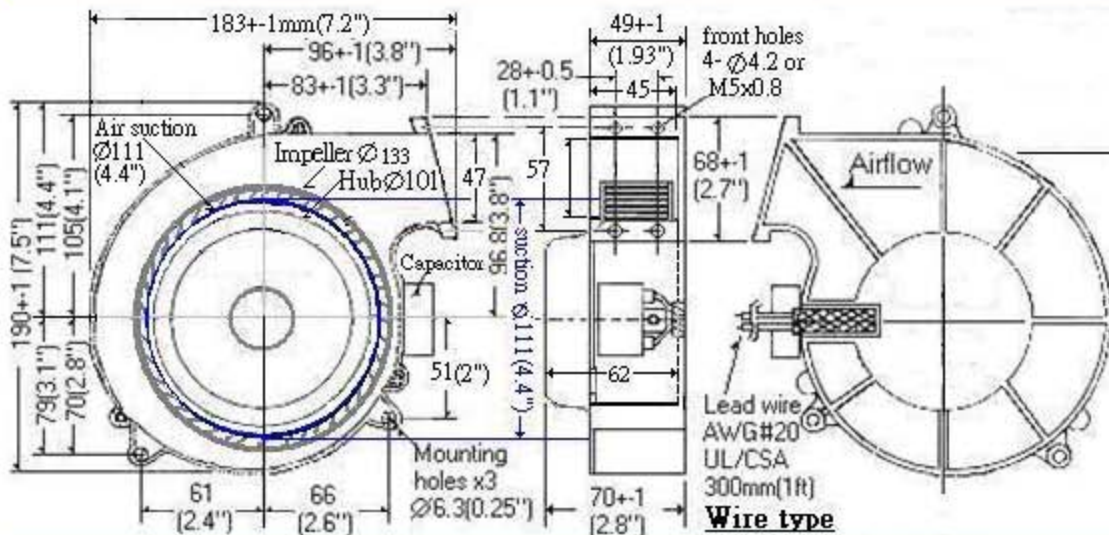
Model No.	Rated Voltage	Voltage Range	Freq.	Input Power	Rated Current	Rated Speed	Max. Airflow	Max. Static Pressure	Noise
	VAC	VAC	Hz	W	A	RPM	CFM	Inch/H2O	dB (A)
EBA800AP-11HB	115	60~130	50/60	20/18	0.24/0.22	2600/2800	29/32	0.44/0.52	49
EBA800AP-11MB	115	60~130	50/60	14/12	-	2000/2100	22/23	0.33/0.34	37
EBA800AP-11LB	115	60~130	50/60	11/9	-	1500/1400	11/10	0.17/0.15	29
EBA800AP-23HB	230	120~260	50/60	20/18	0.16/0.13	2600/2800	29/32	0.44/0.52	49
EBA800AP-23MB	230	120~260	50/60	14/12	-	2000/2100	22/23	0.33/0.34	37
EBA800AP-23LB	230	120~260	50/60	11/9	-	1500/1400	11/10	0.17/0.15	29
EBA800AP-11/23HB dual voltage	115/230	70~240	50/60	20/18	-	2600/2800	29/32	0.44/0.52	49



**GENERAL SPECIFICATIONS**

- Motor: Single phase, capacitor induction, 2/4 pole, inner rotor, thermal protection
- Frame: Aluminum die-cast, natural color treatment case, steel plate housing cover
- Impeller: Glass fiber reinforced thermoplastic impeller, rated UL94V-0
- Rotation: CW looking at rotor, air inlet side of housing, air outlet from struts
- Bearing System: Two high precision permanently lubricated ball bearings
- Operating Temp: Ambient non-condensing allowable thermal range -20C~+75C
- L10 Life: MT BF life test 80,000 hours at +45C, 40,000 hours at +60C
- Dielectric Strength: Over 1 min. at 1,500 VAC, 0.5mA, 50/60 Hz
- Insulation Resistance: Over 100 Mega Ohm at DC 500V
- Connection: Wire lead
- Net Weight: 1650 g (3.6 Lbs)

**FAN DIMENSIONS AND OPTIONS**



- Optional Function Leads:
- \*Tachometer, speed sensor pulses 5V, input 4.5~27 VDC, 1 signal each revolution, or 2 signals each revolution available on request. Function-F/O
- \*Alarm output signals for abnormal or normal available on request. Function-R/D



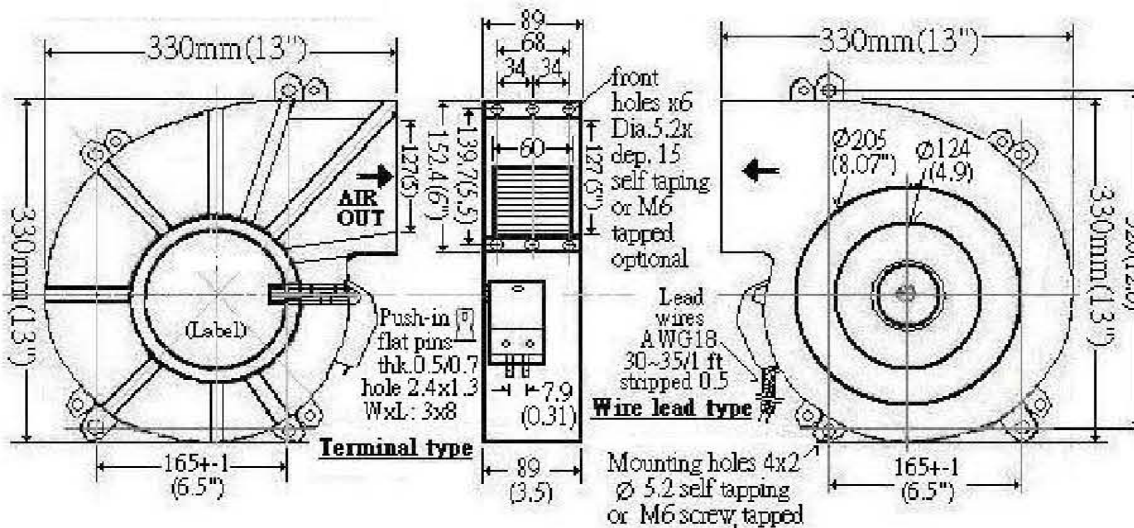
Model No.	Rated Voltage	Voltage Range	Freq.	Input Power	Rated Current	Rated Speed	Max. Airflow	Max. Static Pressure	Noise
	VAC	VAC	Hz	W	A	RPM	CFM	Inch/H2O	dB(A)
EBA908AN-11HB	115	60~130	50/60	65/80	0.69/0.73	2650/3000	90/100	1.6/1.8	69
EBA908AN-11MB	115	60~130	50/60	55/70	0.47/0.59	2400/2300	80/75	1.5/1.4	56
EBA908AN-11LB	115	60~130	55/60	45/60	-	1400/1700	55/65	1.2/1.3	48
EBA908AN-11ULB	115	60~140	50/60	45/60	-	900/1000	45/50	1/1.1	40
EBA908AN-11H/MB	115	60~130	50/60	-1 13/16	-1 0.69/0.7	2650/3000	90/100	1.6/1.8	69
				-2 11/14	-2 0.48/0.57	2400/2300	80/75	1.5/1.4	56
EBA908AN-11M/LB	115	60~130	50/60	-2 11/14	-	2400/2300	80/75	1.5/1.4	56
				-3 3/4	-	1400/1700	55/65	1.2/1.3	48
EBA908AN-23HB	230	120~260	50/60	65/80	0.26/0.31	2650/3000	90/100	1.6/1.8	69
EBA908AN-23MB	230	100~260	50/60	55/70	0.21/0.26	2400/2300	80/75	1.5/1.4	56
EBA908AN-23LB	230	100~260	50/60	45/60	-	1400/1700	55/65	1.2/1.3	48
EBA908AN-23ULB	230	100~260	50	45/60	-	900/1000	45/50	1/1.1	40
EBA908AN-23H/MB	230	100~260	50/60	-1 13/16	-1 0.26/0.31	2650/3000	90/100	1.6/1.8	69
				-2 11/14	-2 0.21/0.26	2400/2300	80/75	1.5/1.4	56
EBA908AN-23M/LB dual speed	230	100~260	50/60	-2 11/14	-	2400/2300	90/100	1.5/1.4	56
				-3 3/4	-	1400/1700	55/65	1.2/1.3	48

**GENERAL SPECIFICATIONS**



- Motor: Single phase, capacitor induction, 2/4 pole, inner rotor, thermal protection
- Frame: Aluminum die-cast black color cosmetics case, steel plate housing cover
- Impeller: Glass fiber reinforced PBT thermoplastic impeller, rated UL94V-0
- Rotation: CCW looking at rotor, air inlet side of housing
- Bearing System: Two high precision permanently lubricated ball bearings
- Operating Temp: Ambient non-condensing allowable thermal range -20C~+65C
- L10 Life: MTBF life test 70,000 hours at +45C, 35,000 hours at +60C
- Dielectric Strength: Over 1 min. at 1,500 VAC, 0.5mA, 50/60 Hz
- Insulation Resistance: Over 100 Mega Ohm at DC 500V
- Connection: Wire lead or Terminal flat pin connecting for choice
- Net Weight: 2,800 Gm (6.2 Lbs)

**FAN DIMENSIONS AND OPTIONS**



-Optional Function Leads:  
 \*Tachometer, speed sensor pulses 5V, input 4.5~27 VDC, 1 signal each revolution, or 2 signals each revolution available on request. Function-F/G

\*Alarm output signals for abnormal or normal available on request. Function-R/D



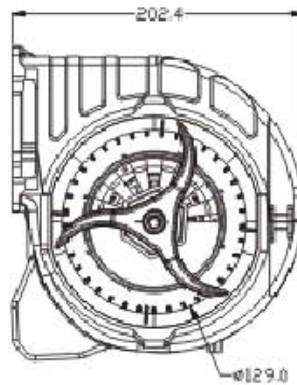
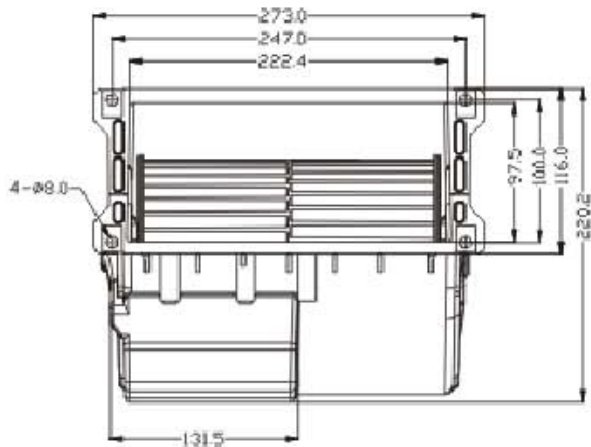
Model No.	Rated Voltage VAC	Voltage Range VAC	Freq. Hz	Input Power W	Rated Current A	Rated Speed RPM	Max. Airflow CFM	Max. Static Pressure Inch/H2O	Noise dB(A)
EBA960AP-11HB	115	60~130	50/60	130/150	-	2800/3200	220/255	2.5/2.9	67/70
EBA960AP-11MB	115	60~130	50/60	80/90	-	2200/2300	160/170	1.9/2.1	54/56
EBA960AP-11LB	115	60~140	50/60	55/65	-	1500/1600	120/125	1.5/1.6	48/49
EBA960AP-11H/MB dual speed	115	60~130	50/60	130/150	-1 -	2800/3200	220/255	2.5/2.9	67/70
				80/90	-2 -	2200/2300	160/170	1.9/2.1	54/56
EBA960AP-23HB	230	120~260	50/60	130/150	-	2800/3200	220/255	2.5/2.9	67/70
EBA960AP-23MB	230	120~260	50/60	80/90	-	2200/2300	160/170	1.9/2.1	54/56
EBA960AP-23LB	230	120~260	50/60	55/65	-	1500/1600	120/125	1.5/1.6	48/49
EBA960AP-23H/MB dual speed	230	120~260	50/60	130/150	-1 -	2800/3200	220/250	2.5/2.9	67/70
				80/90	-2 -	2200/2300	160/170	1.9/2.1	54/56
EBA960AP-11/23HB dual voltage	115	60~130	50/60	130/150	-	2800/3200	220/250	2.5/2.9	67/70
	230	120~260							

**GENERAL SPECIFICATIONS.**

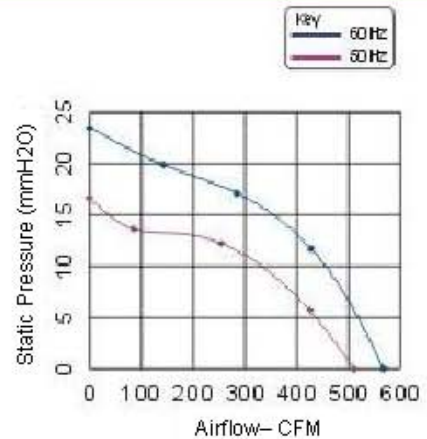


Size:	273mmx220mmx202mm
Airflow:	868~965 m3/hr 511~568 CFM
Weight:	3000 g
Noise:	61~63 dBA
Impeller:	PP UL94V-0 Reinforced Plastic
Frame:	PP UL94V-0 Reinforced Plastic
Connector:	AMP350781-1
Motor:	Capacitor-Run Induction and External Rotor Motor
Safety:	UL, CE, CUL
Operation Temperature:	-10°C~+70°C

**FAN DIMENSIONS AND OPTIONS.**



Unit: mm



Model	Bearing System	Voltage	Freq.	Current	Power	Speed	Noise	Air Flow		Static Pressure
		VAC	Hz	A	W	RPM	dBA	m3/hr	CFM	(mmH2O)
EBA2720-23S	Sleeve	230	50/60	0.80/0.90	150/180	1300/1500	61/63	868/965	511/568	16.6/23.5
EBA2720-11S		115	50/60	1.4/1.7	150/180	1300/1500	61/63	868/965	511/568	16.6/23.5
EBA2720-23B	Ball	230	50/60	0.80/0.90	150/180	1300/1500	61/63	868/965	511/568	16.6/23.5
EBA2720-11B		115	50/60	1.4/1.7	150/180	1300/1500	61/63	868/965	511/568	16.6/23.5